

11

3,5

1.

$v_1$ ,  $v_2$ ,  
?

2.

$v_0 = 10$  / .

3.

$R_1 = 2500$ ,  $R_2 = 1500$  ;  
 $R_3 = 1500$ ,  $R_4 = 2500$  .

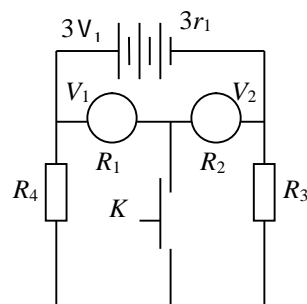
$V_1$   $V_2$

150 B

$n = 3$

$r_1 = 1,5$   $v_1 =$

K,



4.

300

2

5

1000 / 3.

4200

5