

II ( )

II

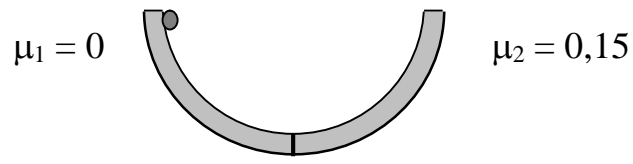
-3 20  
-42

1

( .1).

$\mu_1 = 0,$  -  
-

$\mu_2 = 0,15$



- 60.

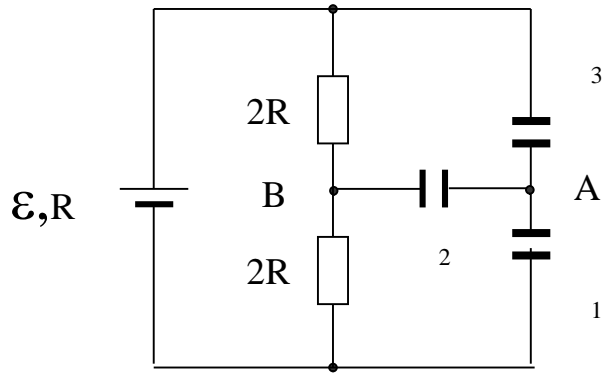
. 1

2

. 2

A B.

$C_2 = C_3 = C; C_1 = 2C$



- 80.

. 2

3

:

-

,

-

-

-

· , ' -  
, ,  
?

- 80.

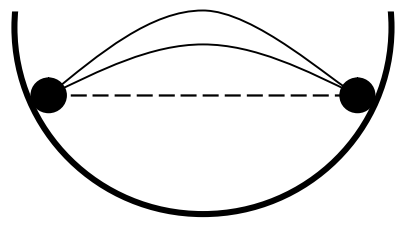
4

( . 3),

- 1,

- 2.

R .



. 3.

- 100.

5

,  
.

?

- 100.

,

$$g = 10 \text{ / } ^2.$$